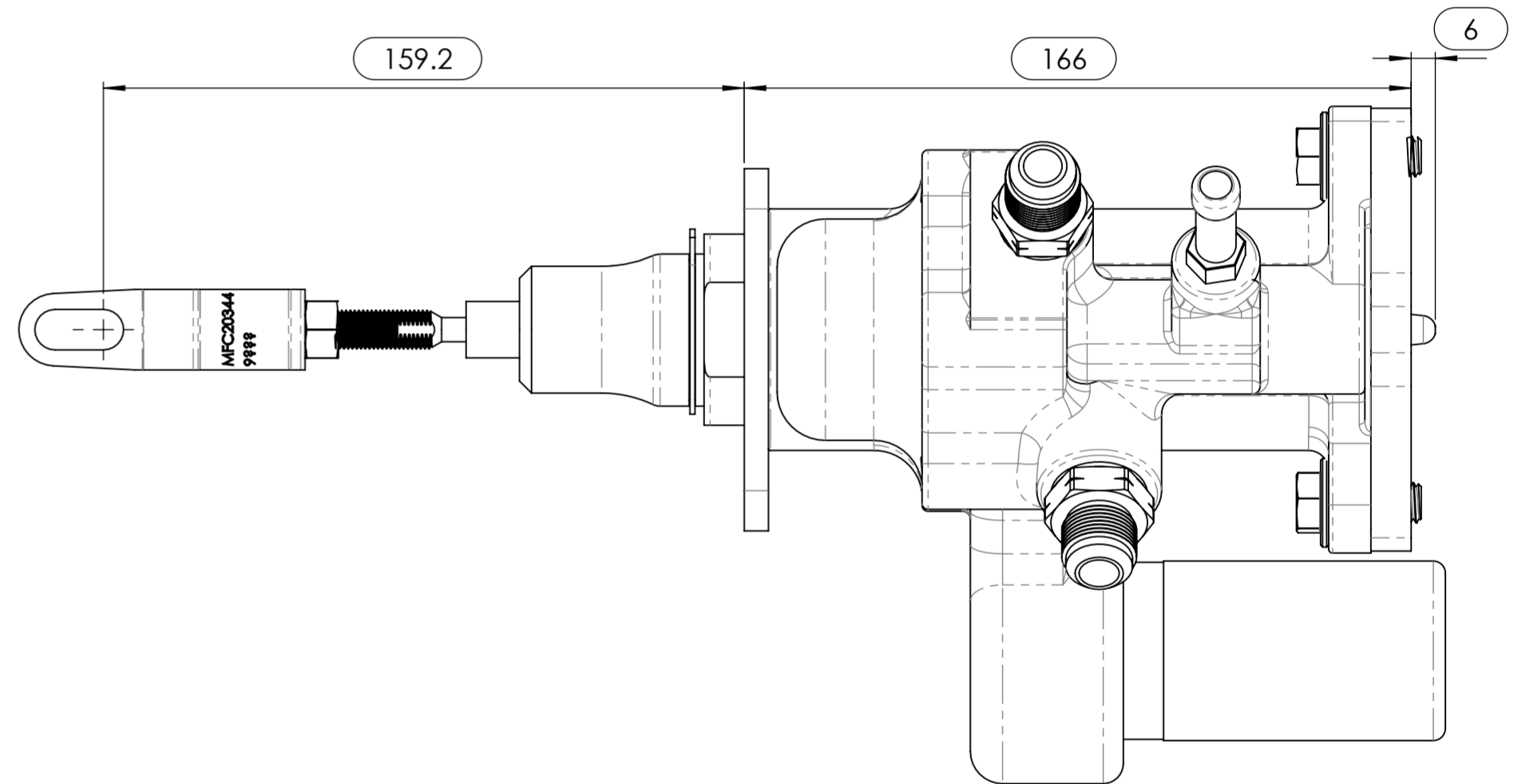
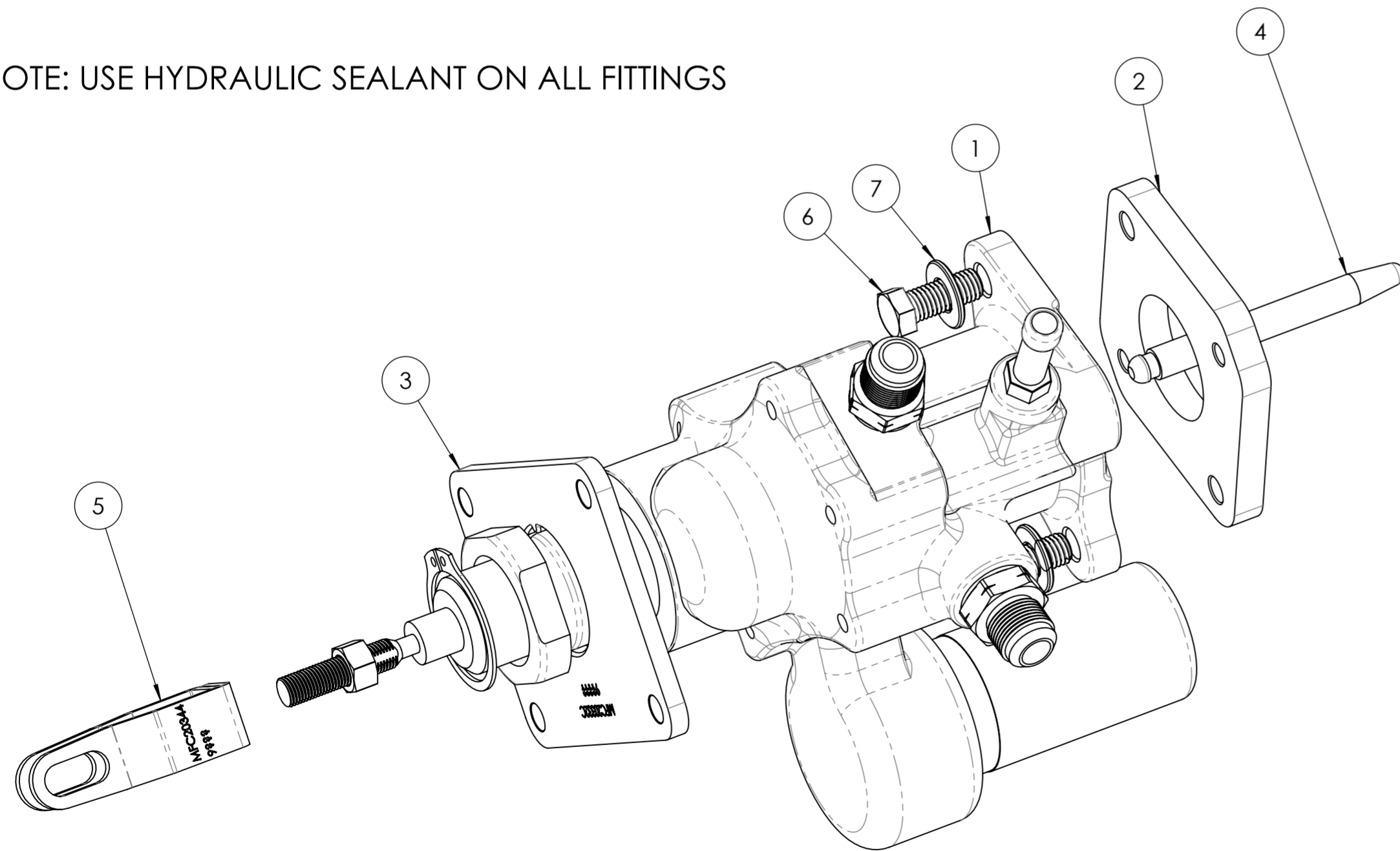


ALL DIMENSIONS ARE IN (mm)



BOTTOM OF VEHICLE
NOTE: RETURN LINE SHOULD BE "T" IN AS CLOSE TO POWER STEERING RESERVOIR AS POSSIBLE

NOTE: USE HYDRAULIC SEALANT ON ALL FITTINGS



ITEM NO.	PART NUMBER	DESCRIPTION	EXPLODED/ QTY.
1	MFC20190	Hydraulic Brake Booster	1
2	MFC20331	Booster to Master Cly. Adaptor Toyota VDJ7#	1
3	MFC20332C	Booster to Firewall Adaptor Toyota VDJ7#	1
4	MFC20333	Booster Pushrod to Master Cyl. Toyota VDJ7# (95mm)	1
5	MFC20344	Booster Stirrup to Toyota 80 Series Brake Pedal	1
6	BT-2240	BOLT - M10 X 1.5 X 25mm - H/T - Z/P	2
7	FW-2010	Flat Washer - M10 x 22 x 2mm	2

MARKS4WD
385-393 LOWER DANDENONG ROAD,
DINGLEY, VICTORIA, 3172
A.B.N. 28 153 842 829

DRAWN	GDK 18/01/2018	TITLE: Hydraulic Brake Booster - 80 Series 1HD	
DRAWING CHECKED	PM 18/01/2018	SCALE: 1:1.5 DRAWING 1 of 1	DRAWING/PART NUMBER MFG20360
FINISHED WEIGHT: 9.28 kg			REV No. 0